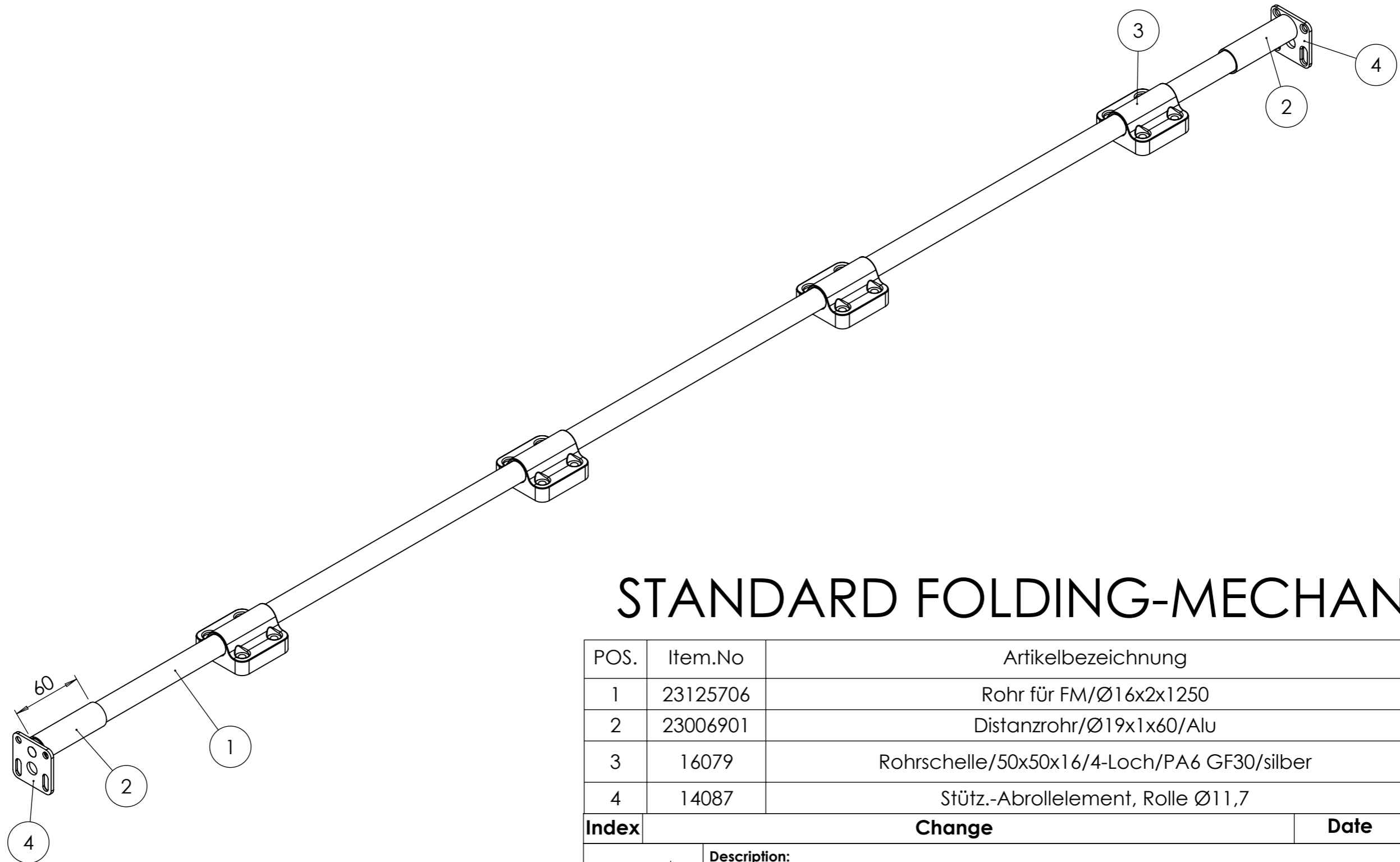


LIEFERZUSTAND / DELIVERY STATE



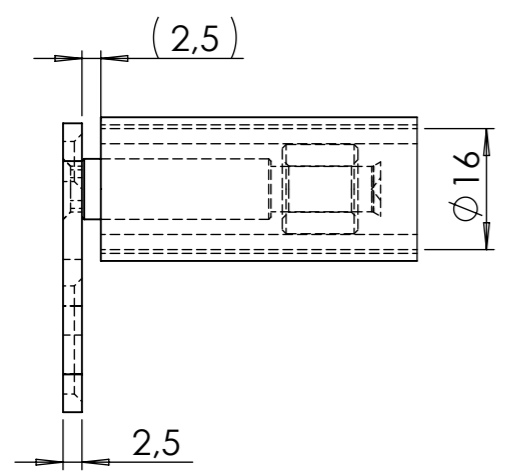
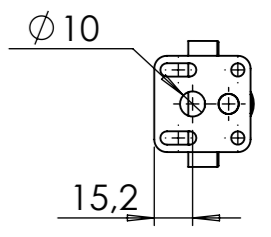
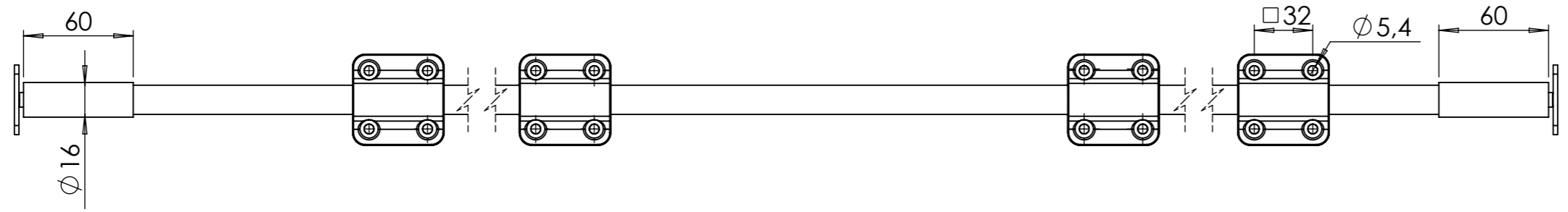
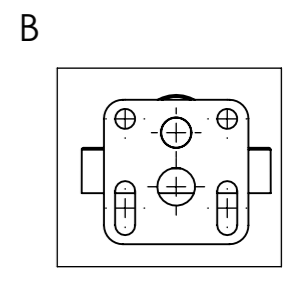
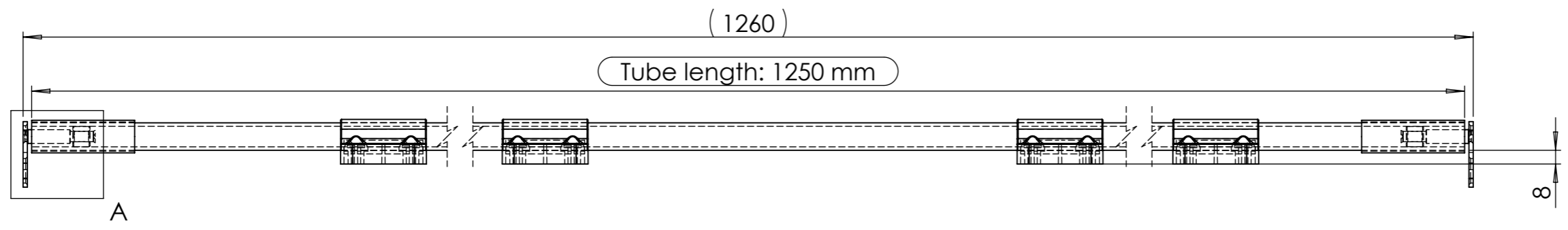
STANDARD FOLDING-MECHANISM

POS.	Item.No	Artikelbezeichnung	Menge
1	23125706	Rohr für FM/Ø16x2x1250	1
2	23006901	Distanzrohr/Ø19x1x60/Alu	2
3	16079	Rohrschelle/50x50x16/4-Loch/PA6 GF30/silber	4
4	14087	Stütz.-Abrollelement, Rolle Ø11,7	2

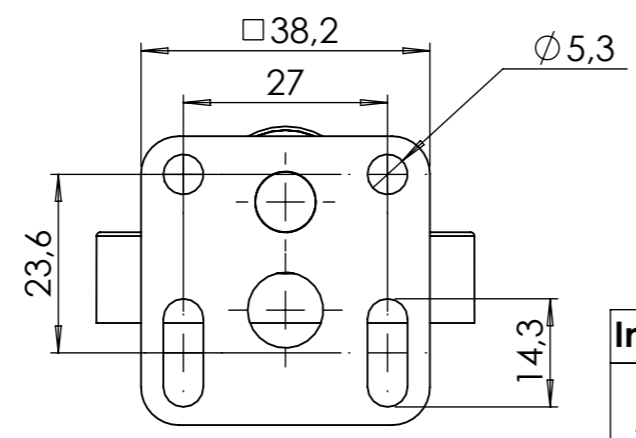
Index	Change		Date	Name	
 DIN ISO 128-30	Description: FM/Ø16x2x1260/4R/2x60				
	Surface: galvanized		Material: diverse	Weight: 1.04 kg	
 Transforming furniture	Name	Date	Company		
	Signed	Vandyck	01.12.2017		
	Tested	P. Vandyck	01.04.2019	Second Company:	
General tolerance: DIN ISO 2768 - m		Item No: 23126301	Scale 1:3	Page 1/2	A3

All property rights and rights to exploitation of copyright for this drawing data remain ours; they may not be made available to third parties without our consent.

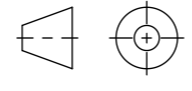

All property rights and rights to exploitation of copyright for this drawing data remain ours; they may not be made available to third parties without our consent.



DETAIL A
MABSTAB 1 : 1



DETAIL B
MABSTAB 1 : 1

Index	Change			Date	Name
 DIN ISO 128-30	Description: FM/Ø16x2x1260/4R/2x60				
	Surface: galvanized		Material: diverse		Weight: 1.04 kg
 PÖTTKER Transforming furniture	Name	Date	Company		
	Signed	Vandyck	01.12.2017	Second Company:	
Tested	P. Vandyck	01.04.2019			
General tolerance: DIN ISO 2768 - m		Item No: 23126301	Scale 1:3	Page 2/2	A3