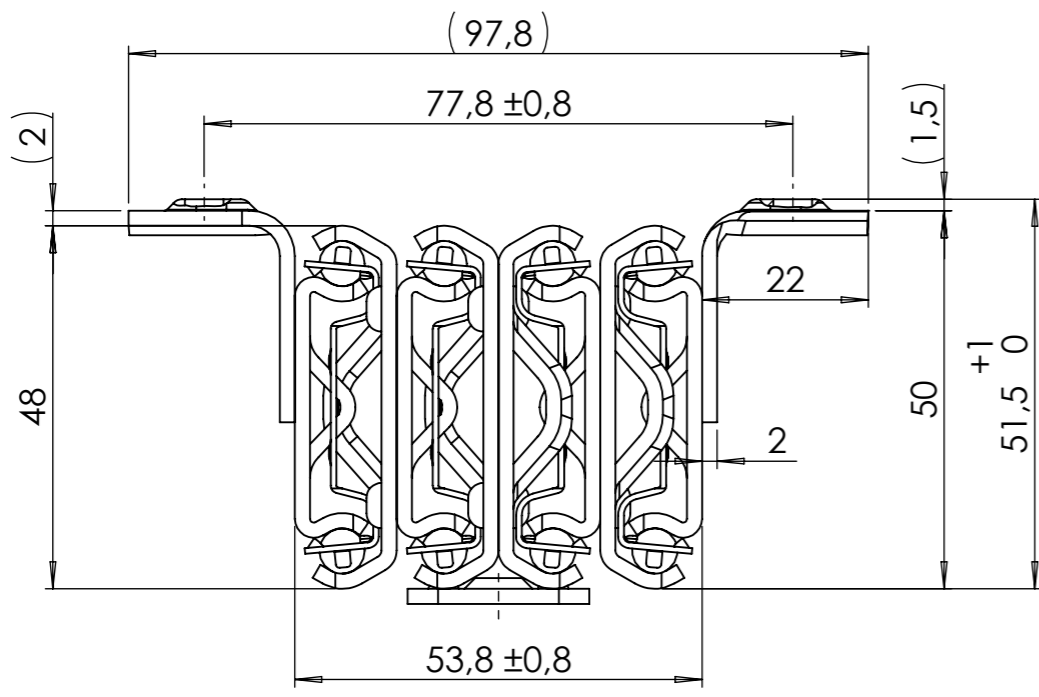
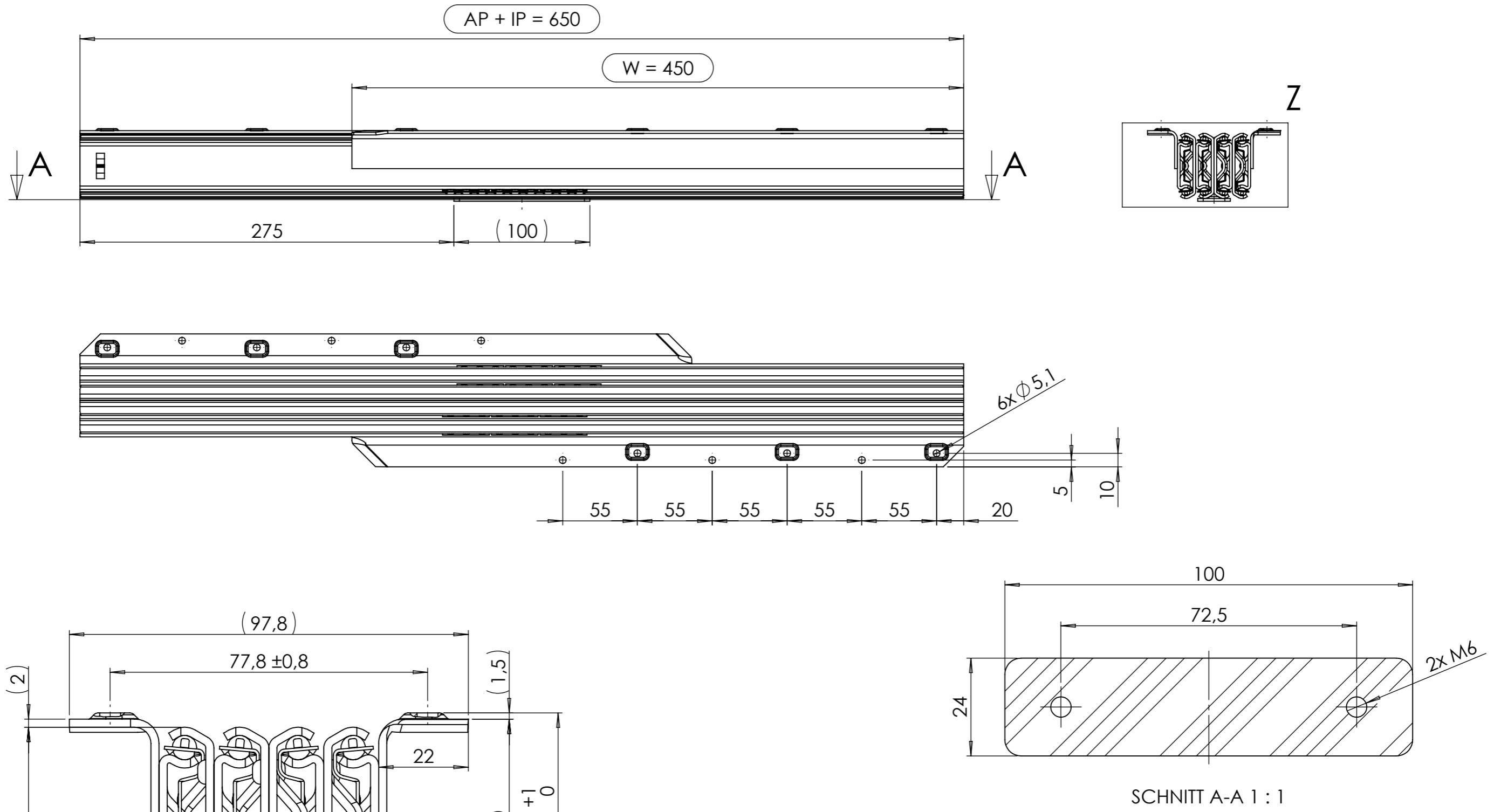
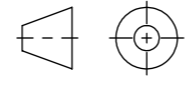



All property rights and rights to exploitation of copyright for this drawing data remain ours; they may not be made available to third parties without our consent.



opening : ca. **2134** mm

Index	Change	Date	Name		
 DIN ISO 128-30	Description: C-T4/650.4/650.4/W450/KK3				
	Surface: diverse	Material: diverse	Weight: 5.35 kg		
 PÖTTKER Transforming furniture	Name	Date	Company		
	Signed	Jakub P.	21.10.2021	HRANIPEX	
Tested			Second Company:		
General tolerance: DIN ISO 2768 - m		Item No: 47065901	Scale 1:3	Page 1/3	A3

CLOSE

M1:3

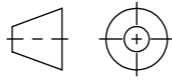

650

ca. 2784

OPENING = ca. 2134

OPEN

All property rights and rights to exploitation of copyright for this drawing data remain ours; they may not be made available to third parties without our consent.

 DIN ISO 128-30	Description: C-T4/650.4/650.4/W450/KK3					
	Surface: diverse		Material: diverse		Weight: 5.35 kg	
 Transforming furniture	Name	Date	Company			
	Signed	Jakub P.	21.10.2021	HRANIPEX		
	Tested	(empty)	(empty)	Second Company:		
General tolerance: DIN ISO 2768 - m		Item No:	47065901	Scale 1:6	Page 2/3	A3